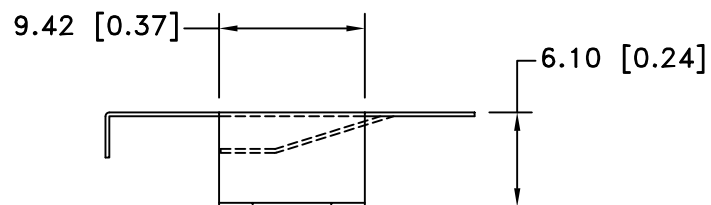
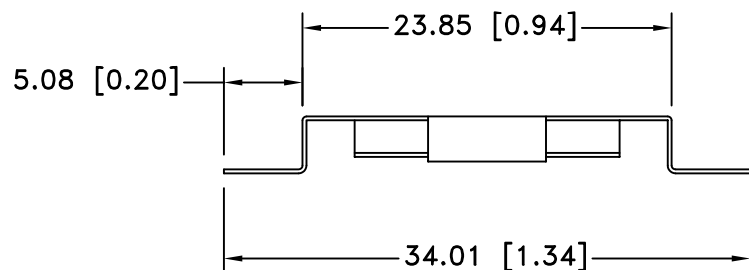
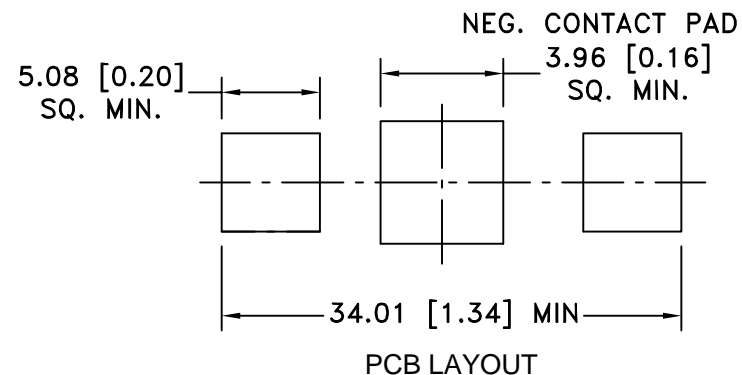
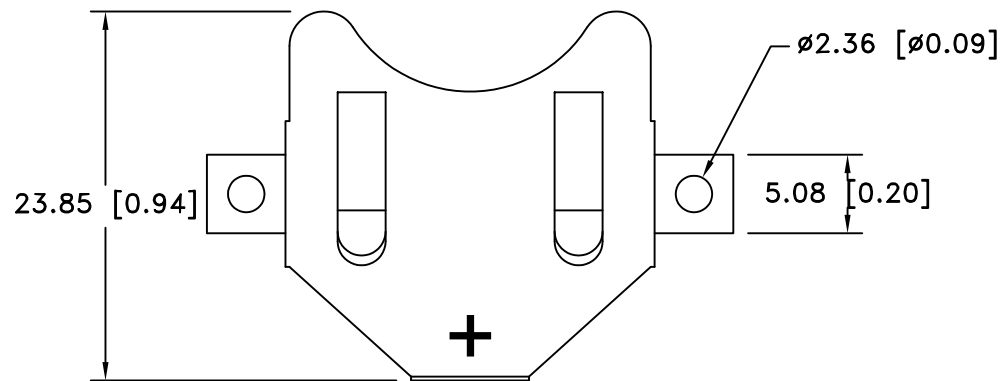



Date	SYM	REVISION RECORD	AUTH	DR.	CK.
7/08/06	A	Added "ROHS COMPLIANT"	T B	B S	
8/01/08	B	ADDED CHAMFER AND RADIUS	T B	B S	



NOTES:

- MATERIAL:  
0.25mm PHOSPHOR BRONZE, NICKLE PLTD.
- ROHS COMPLIANT

Tolerance (Except as noted)	 <b>Memory Protection Devices, Inc</b> 200 Broad Hollow Road, Farmingdale, New York 11735		
decimal $\pm .5$ (.020)	Scale	Drawn By B.S.	
Fractional $\pm .8$ (.030)	Title	COIN CELL RETAINER FOR 2354 BATTERIES	
Angular $\pm 3^\circ$	Date	Drawing Number	
	8/01/08	BK-878	

CELL SIZE	RETAINS BATTERY NUMBERS
23mm	CR2354, DL2354