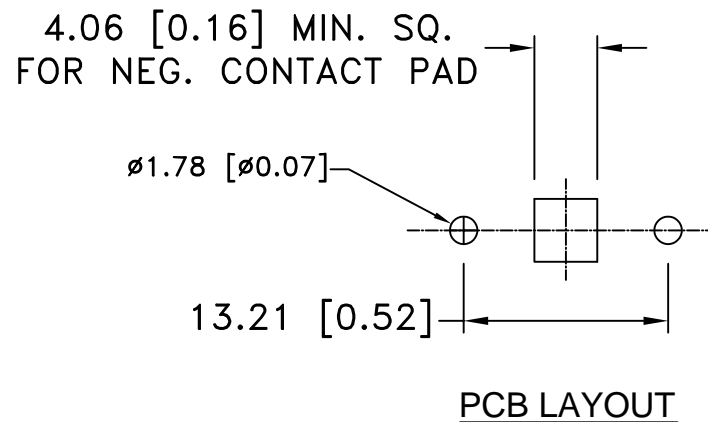
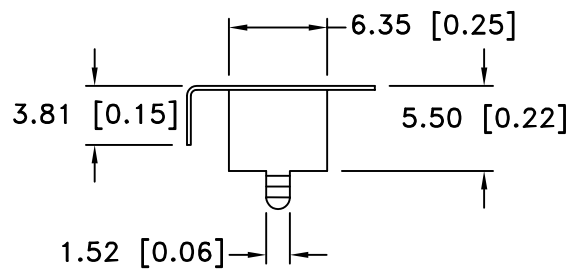
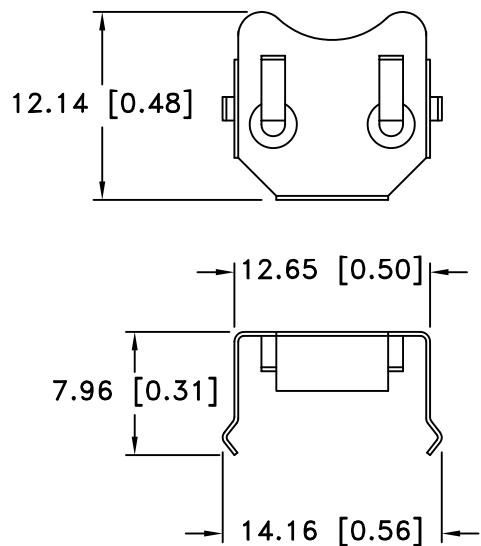



Date	SYM	REVISION RECORD	AUTH	DR.	CK.
2/23/08	A	Added "ROHS COMPLIANT"	T.B.	B.S.	



NOTES:

- MATERIAL:  
0.25mm (0.010") PHOSPHOR BRONZE, NICKEL PLTD.  
ROHS COMPLIANT

Tolerance (Except as noted)	 <b>Memory Protection Devices, Inc</b> 200 Broad Hollow Road, Farmingdale, New York 11735		
decimal ±.5 (.020)		Scale	Drawn By B.S.
Fractional ± .8 (.030)	Title	LR44 BATTERY RETAINER FOR THRU HOLE	
Angular ± 3°	Date	Drawing Number	
	2/23/08	BK-5091	