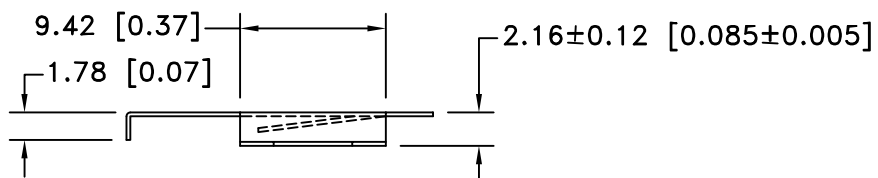
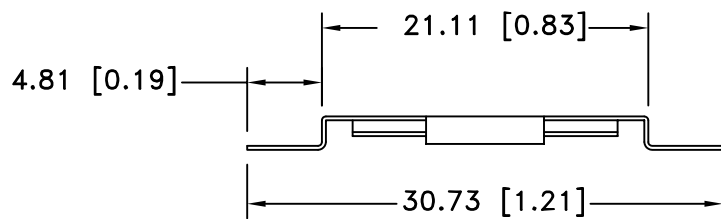
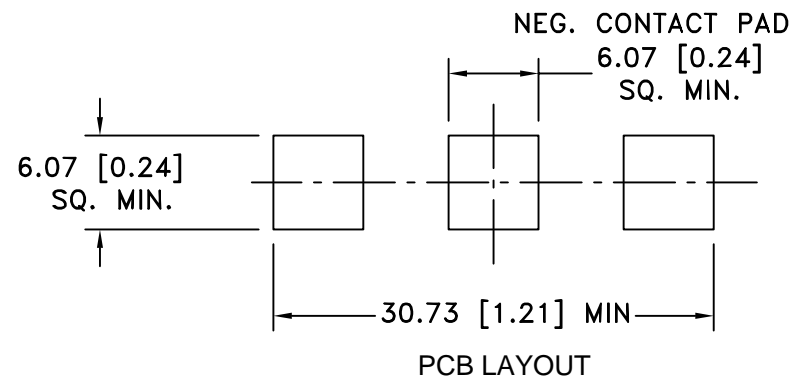
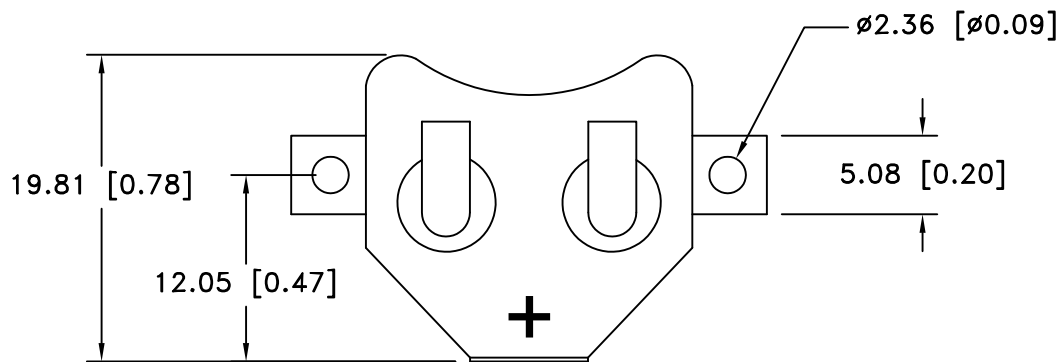



Date	SYM	REVISION RECORD	AUTH	DR.	CK.
1/21/06	A	ADDED "ROHS COMPLIANT"	T.B.	B.S.	
10/10/08	B	UPDATED PCB LAYOUT	T.B.	B.S.	
10/17/08	C	ADDED DIM. 12.05	T.B.	B.S.	



NOTES:

- MATERIAL:
0.25mm PHOSPHOR BRONZE, NICKLE PLTD.
- ROHS COMPLIANT

Tolerance (Except as noted)	 Memory Protection Devices, Inc 200 Broad Hollow Road, Farmingdale, New York 11735		
decimal ±.5 (.020)	Scale	Drawn By B.S.	
Fractional ± .8 (.030)	Approved By T.B.		
Angular ± 3°	Title	COIN CELL RETAINER FOR 20mm DIA. BATTERIES	
	Date	Drawing Number	
	10/17/08	BK-5067	

CELL SIZE	RETAINS BATTERY NUMBERS
20mm	BR2016, CR2016, DL2016