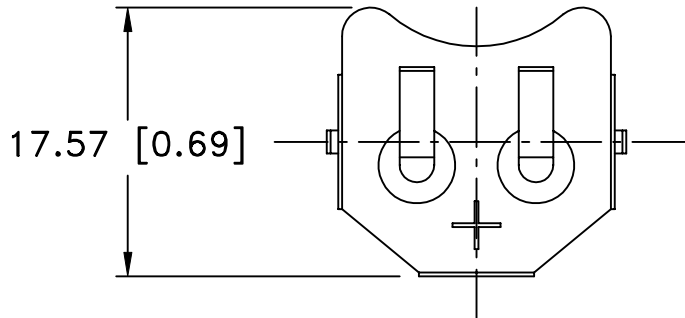
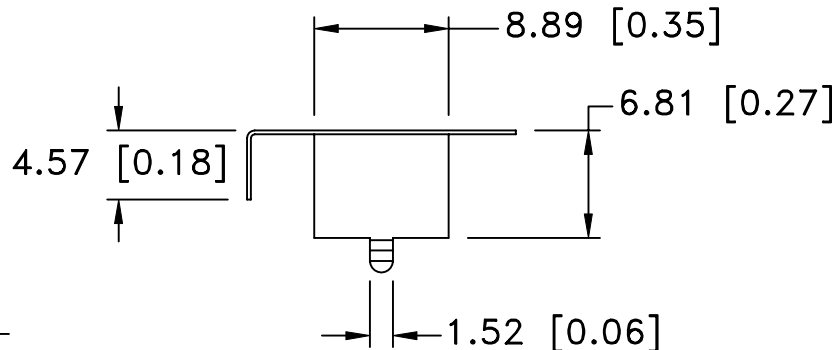
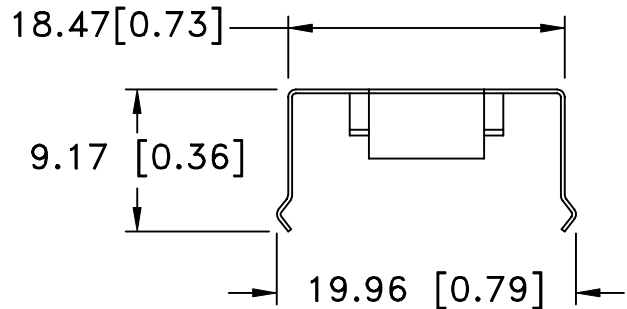
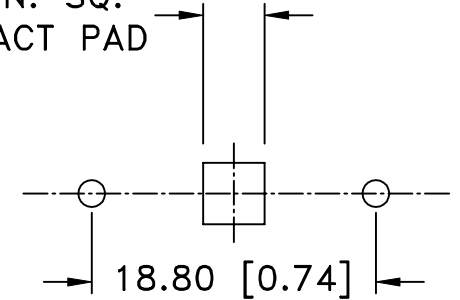


Date	SYM	REVISION RECORD	AUTH	DR.	CK.
10/11/03	A	REVISED ALL DIMENTIONS	T.B.	B.S.	




7.62 [0.30] MIN. SQ.  
FOR NEG. CONTACT PAD



PCB LAYOUT

**NOTES:**

- MATERIAL:**  
0.25mm (0.010") PHOSPHOR BRONZE, NICKEL PLTD.

Tolerance (Except as noted)	 <b>Memory Protection Devices, Inc</b> 200 Broad Hollow Road, Farmingdale, New York 11735	
decimal ±.5 (.020)	Scale	Drawn By B.S. Approved By T.B.
Fractional ± .8 (.030)	Title i-BUTTON THRU HOLE RETAINER	
Angular ± 3°	Date 10/11/03	Drawing Number BK-5010